

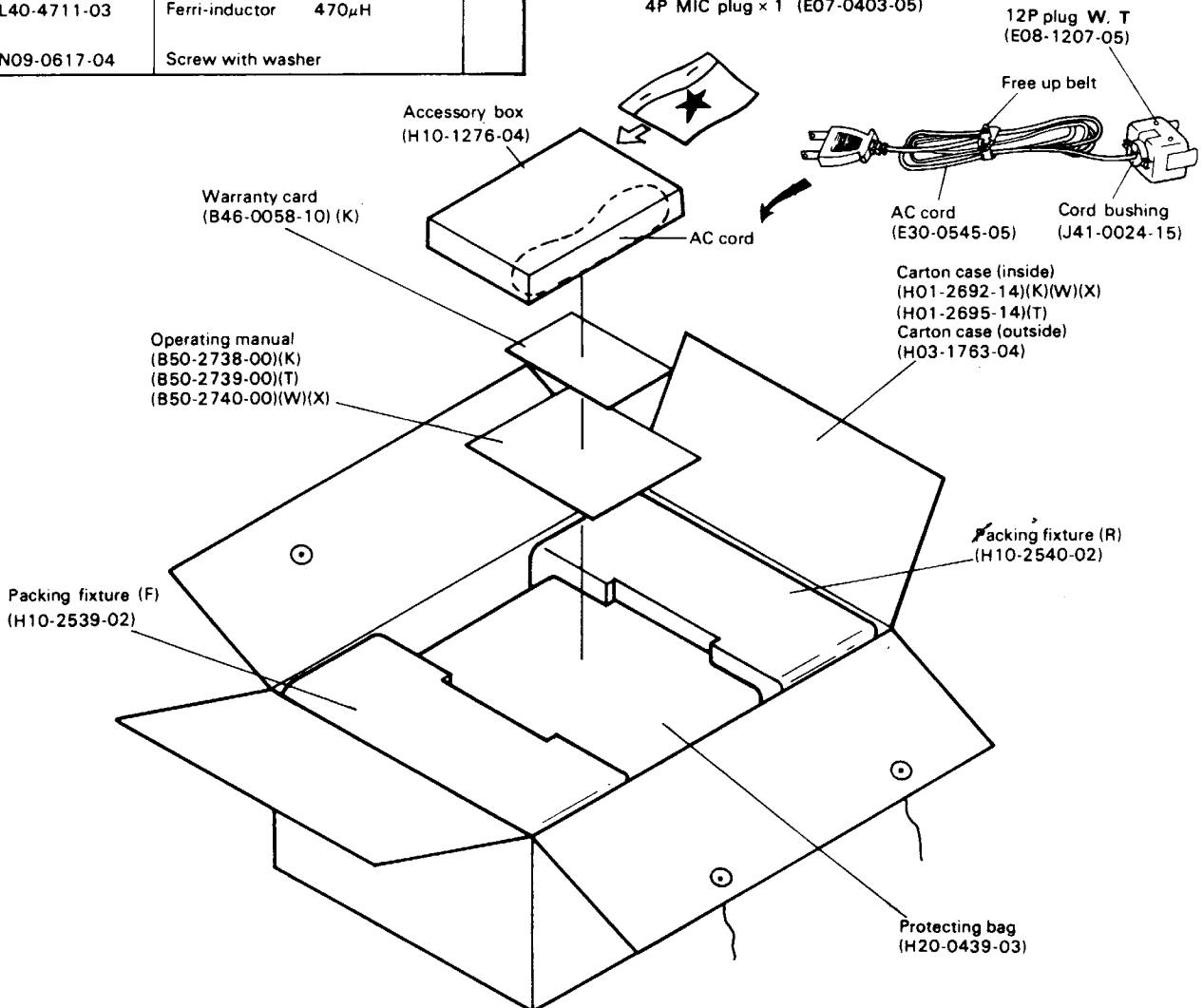
PARTS LIST/PACKING

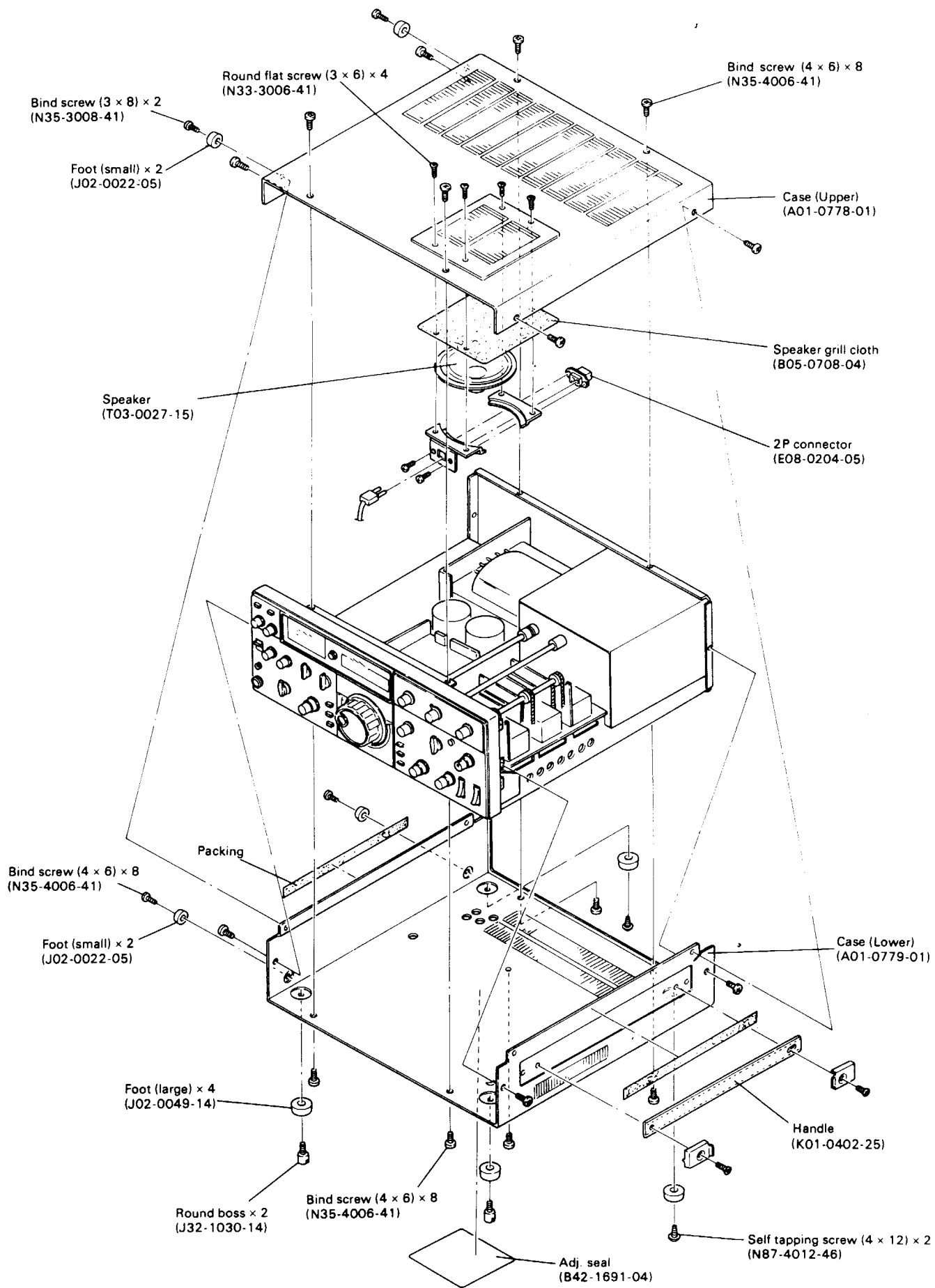
Final unit (X56-1380-00)

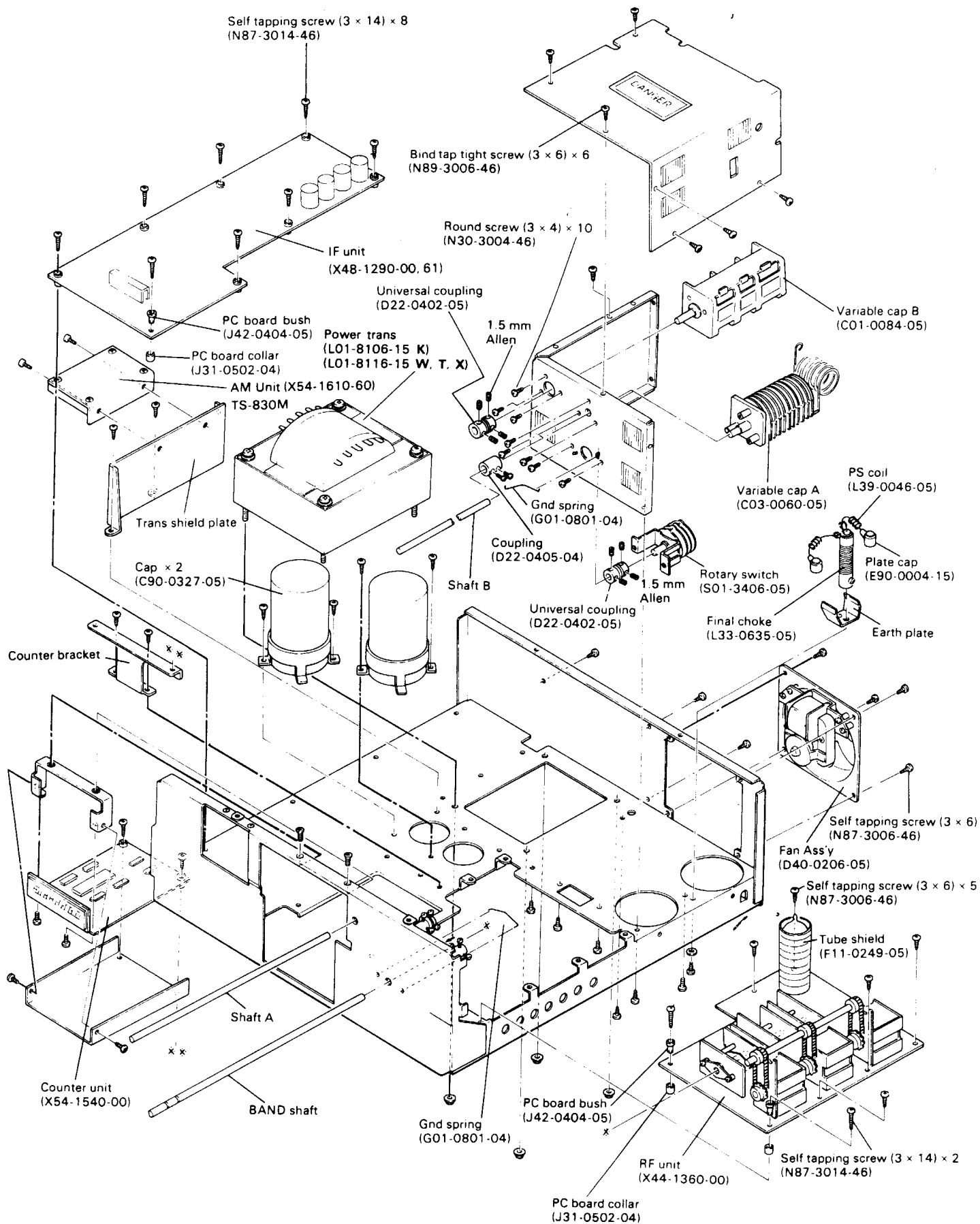
Ref. No.	Parts No.	Description	Re- marks
C13	CC45LG1H220J	C 22pF	
C14	CC45CG1H100D	C 10pF ±0.5pF	
C15	CC45LG1H151J	C 150pF	
C16	CC45RG1H151J	C 150pF	
C17	CC45CH1H020C	C 2pF ±0.25pF	
C18	C91-0456-05	C 0.047μF	
C21	CC45SL1H390J	C 39pF	
C22	CC45CH1H100D	C 10pF ±0.5pF	
C23	CC45SL1H390J	C 39pF	
C24	C91-0456-05	C 0.047μF	
VC1	C02-0019-05	Variable capacitor 30pF	☆
TC1	C05-0009-15	Ceramic trimmer 6pF	
TC2	C05-0013-15	Ceramic trimmer 20pF	
	D40-0614-05	Gear ass'y	☆
L1	L32-0628-05	Oscillating coil	☆
L2	L33-0025-05	Choke 1μH	☆
L3	L32-0629-05	Oscillating coil	☆
L4	L32-0609-05	Oscillating coil	
L5	L40-1021-03	Ferri-inductor 1mH	
L6	L40-4711-03	Ferri-inductor 470μH	
L7	L40-1021-03	Ferri-inductor 1mH	
L8	L40-1501-03	Ferri-inductor 15μH	
L9~11	L40-4711-03	Ferri-inductor 470μH	
	N09-0617-04	Screw with washer	

Ref. No.	Parts No.	Description	Re- marks
C1	CC45SL2H101J	C 100pF 500V	
C2	CK45E2H102P	C 0.001μ 500V	
C11.12	CK45E2H103P	C 0.01μF 500V	
C13	CC45CH2H150J	C 15pF 500V	
	E01-0002-05	8P (octal) socket	☆
	E23-0046-04	Square terminal	
PS1.2	L33-0010-05	Parastic suppressor GRID	
L1	L40-1511-03	Ferri-inductor 150μH	
L2	L40-4711-03	Ferri-inductor 470μH	
R2~5	RC05GF2H200J	Solid 20Ω 1/2W	
R7.8	RC05GF2H101J	Solid 100Ω 1/2W	

- ★ Protective bag (H25-0120-04)
 Fuse (6A) × 1 (F05-6021-05)(K)
 Fuse (4A) × 1 (F05-4022-05)(W)(T)(X)
 Phone plug × 1 (E12-0001-05)
 7P Din plug × 1 (E07-0751-05)
 Foot (large) × 2 (J02-0049-14)
 Screw (4 × 12) × 2 (N30-4012-46)
 4P MIC plug × 1 (E07-0403-05)







DISASSEMBLY

